

# VIBRATION MOUNTS: EVOLO® SERIES

EVOLO® 633 TWISTLOCK: GRADE A-D



**LOGGERS**



## INTRODUCTION

The innovative Loggers EvoLo® 633 TwistLock for modular and skid based units solves the vibration issues causing potential damage and noise in the units, while the flexibility and easy handling of the TwistLock is maintained.

Personnel on offshore platforms are often facing vibration challenges caused by modular and skid based units. These vibrations are transmitted throughout the steel structure and may result in unforeseen damage or failure. In addition, these vibrations affect the living and working environments of offshore workers. This will eventually have a negative effect on the production, as poor working conditions often lead to inefficiency, a decrease of morale on the platform and non-compliance with working conditions and safety regulation.

As specialist in the area of vibration isolation Loggers has already successfully applied her innovative EvoLo® vibration mounts in various market segments. In the offshore industry many permanent offshore units are isolated against vibration with the EvoLo® 633. However, the standard EvoLo® 633 vibration mount can not be used in this case, as modular and skid based units must be secured safely whilst their deployment remains flexible.

The EvoLo® 633 TwistLock is the result of the combination of our excellent knowhow on vibration isolation, high quality products and innovative capabilities.

## EVOLO® 633 TWISTLOCK

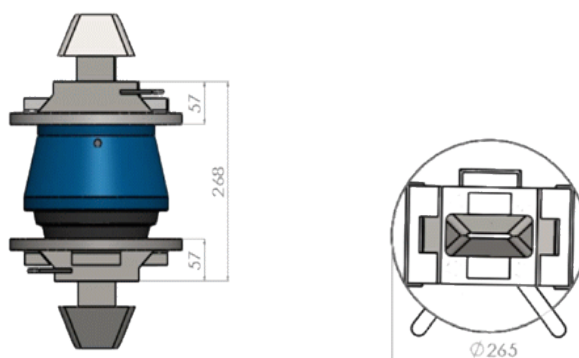
The EvoLo® 633 TwistLock has all the benefits of easy and quick installation of the TwistLock widely used in the offshore market, combined with the perfect vibration isolation qualities of the EvoLo® 633 vibration mount. It is the ideal vibration isolator for modular and skid based units, as it protects the offshore unit from dangerous and annoying vibrations coming through and from the platform.

Loggers' EvoLo® 633 TwistLock improves the safety by preventing the unit and structure from hazardous and inconvenient vibrations. In addition, it substantially increases working and living conditions on the offshore platform similar to our solutions for permanent offshore units.

The business benefits are legion: increased efficiency, an improved morale and compliance with offshore working conditions and safety regulation.

## TECHNICAL DATA

Article No. without height adjustment	Grade	Maximum load
1030633AT	A	118 kN
1030633BT	B	104 kN
1030633CT	C	85 kN
1030633DT	D	72 kN



*Dimensions are in millimeters (mm)*

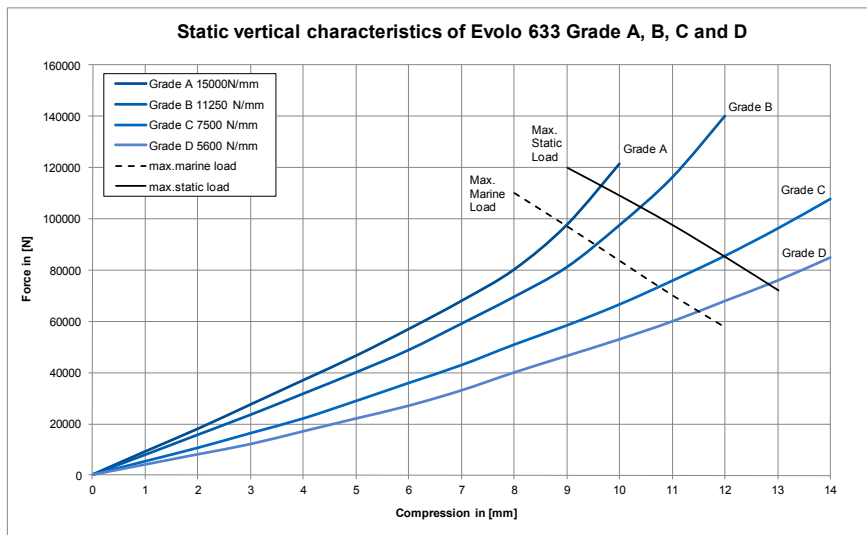
## MATERIAL

**Rubber part:** Highest quality natural rubber  
**Metal:** Steel (St. 37 electrolytic galvanized)

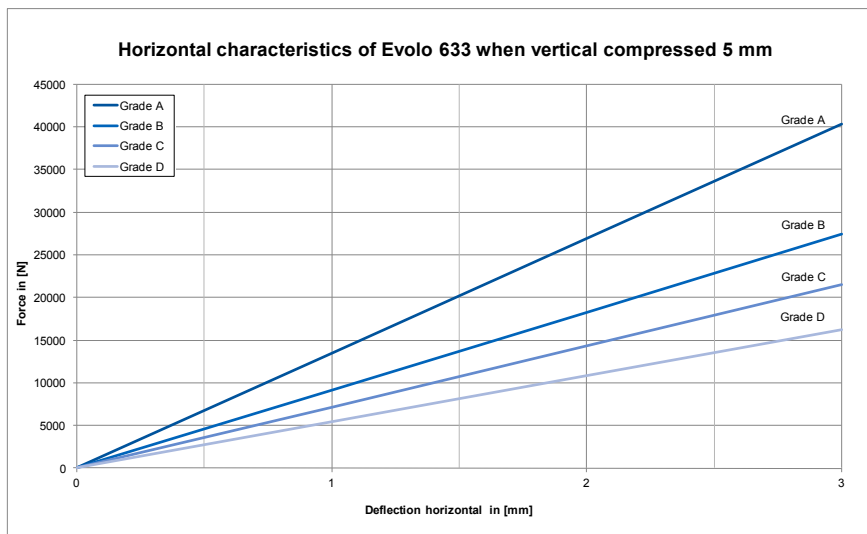
## ADVANTAGES

- ✓ Optimum vibration isolation
- ✓ Easy and quick installation
- ✓ Build in end-limiter to protect against overload
- ✓ Capable of handling both vertical and horizontal forces
- ✓ Natural rubber gives maximum vibration isolation
- ✓ One type fits all weights between 1400 and 11800 kg
- ✓ Stock item

## STATIC VERTICAL CHARACTERISTICS



## HORIZONTAL CHARACTERISTICS WHEN PRECOMPRESSED 5 MM



# ABOUT LOGGERS

Loggers is **thought leader** and international recognized solution provider in the field of shock, vibration and noise control. With **excellent technical know-how** in combination with proven market knowledge and experience Loggers designs, develops and engineers **innovative solutions** for the most complex and challenging situations for leading clients worldwide for over 90 years.

## Loggers understands all difficulties in the area of vibration, shock and noise control entirely.

We bring up the best and most cost effective solution for every challenge, regardless of its complexity. Loggers defines and engineers all deliverables necessary for solving your problem, ranging from standard to tailor-made solutions. Loggers' state-of-the-art portfolio contains all products and services to provide you with the optimal solution for relatively simple as well as the most complex challenges.

### Products

- Vibration mounts
- Expansion joints
- Shock mounts

### Services

- Assessment of current situation (on site)
- Analysis design including construction drawings
- Structural design and stress analysis
- Vibration measurement and analysis, if needed on site
- Solution definition based on:
  - standard products
  - customized products, or even
  - tailor-made new products, including prototyping
- Complete simulation of solution to ensure its effectiveness
- Testing including certification by independent certification authorities
- On site support during installation

Loggers understands both business and technology and brings both worlds together in satisfying customers' needs in rapidly changing environments. By working closely with clients Loggers enables them to realize their strategic targets through solving specific operational issues in the following market segments:

- Shipbuilding
- Dredging
- Defense
- Machinery
- Offshore
- Transportation



Version 02  
September 2011

### Loggers B.V.

Pieter Zeemanweg 133  
3316 GZ Dordrecht  
Mail: P.O. Box 194  
3300 AD Dordrecht  
The Netherlands  
Phone: +31 (0) 78 6182844  
Fax: +31 (0) 78 6180650  
sales@loggers.nl

### Loggers Schwingungstechnik GmbH

Am Markt 9  
D-27419 Sittensen  
Germany  
Phone: +49 (0) 4282/5949-0  
Fax: +49 (0) 4282/5949-39  
sales@loggers.de

