

VIBRATION MOUNTS: EVOLO® SERIES

EVOLO® 633 SPINDLE: GRADE A-D



LOGGERS

INTRODUCTION

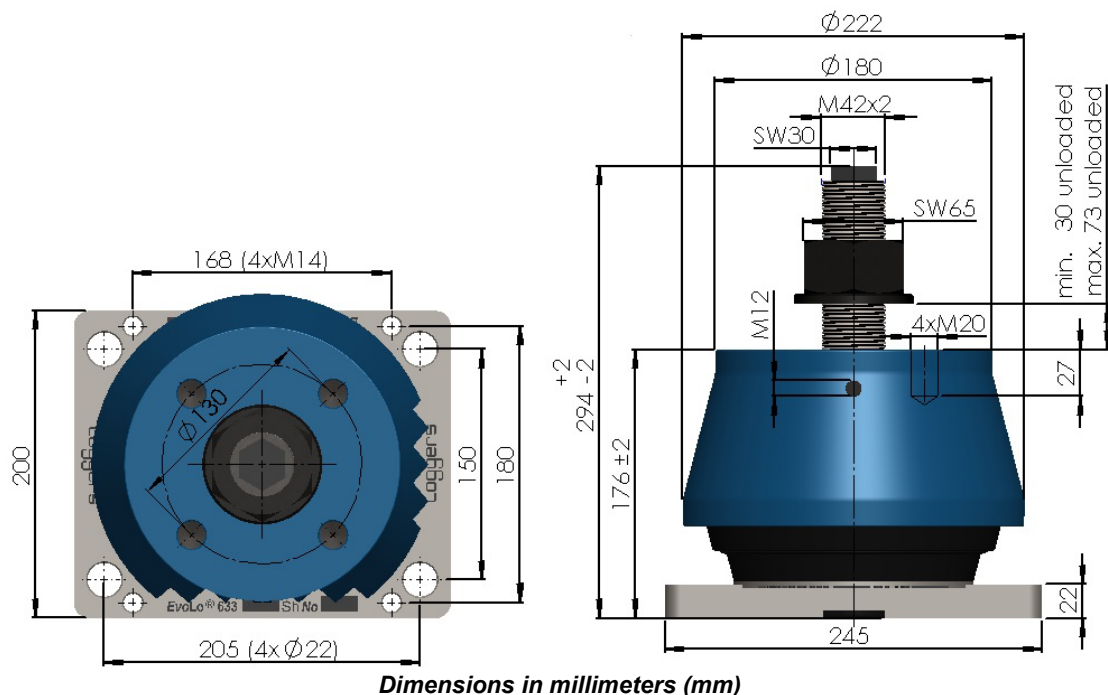
With the EvoLo® series Loggers offers a wide range of vibration mounts for all rotating and vibrating equipment. The modular design of the EvoLo® vibration mounts ensures that changes in weight load with the same dimensions can be coped with easily as no redesign of the interface with the mounts is necessary. Principal applications for these vibration mounts are generator sets, pumps, large diesel engines, compressor/cooling units, gear boxes, windmills and deck house mountings. Loggers can also provide you with a calculation to assure you are using the right isolation components for your specific application.

EVOLO® 633 SPINDLE: GRADE A-D

Just like the standard EvoLo® 633, the EvoLo® 633 Spindle is typically used for larger equipment with high weights that need optimal vibration isolation at high and low frequencies. However, some applications and mounting methods require a central threaded spindle. The EvoLo® 633 Spindle distinguishes itself by its special design that reduces installation effort. All other characteristics are equal to those of the standard EvoLo® 633. Due to the design of the EvoLo® 633 Spindle a single central spindle is used for mounting, instead of the 4 threaded holes the standard EvoLo 633 has to offer. The length of the EvoLo® 633 Spindle even allows foundation thicknesses up to 73 mm.

TECHNICAL DATA

Article No. without height adjustment	Grade	Maximum load
1030633A7	A	118 kN
1030633B7	B	104 kN
1030633C7	C	85 kN
1030633D7	D	72 kN



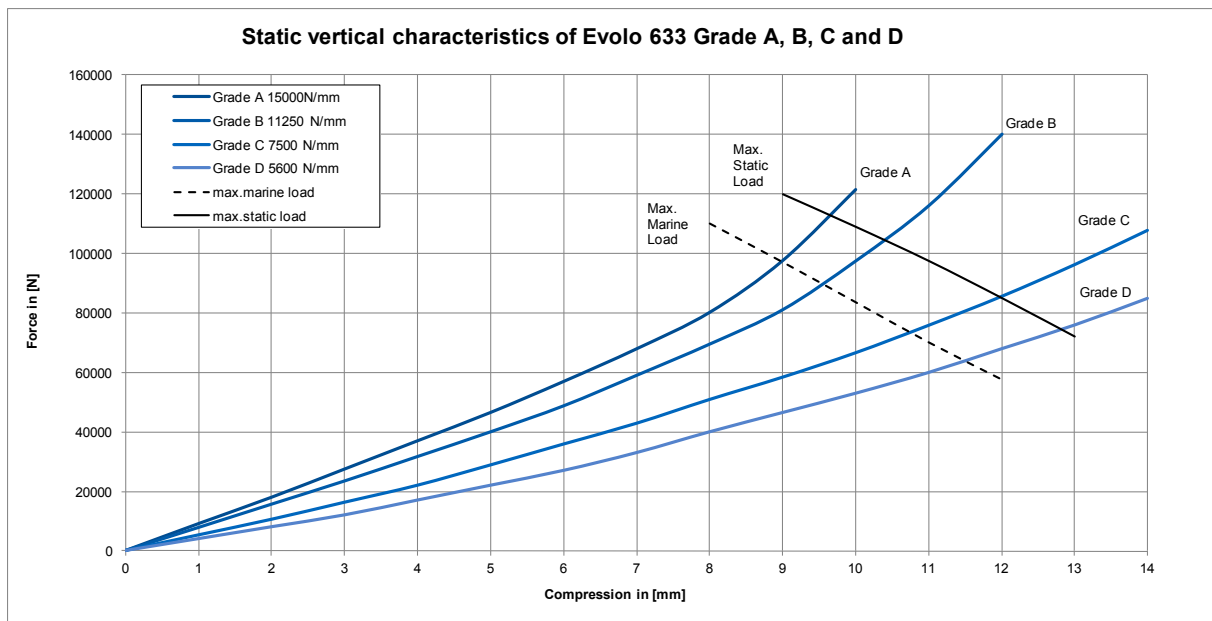
MATERIAL

Rubber part: Highest quality natural rubber
Metal: Aluminum, spindle: carbon steel

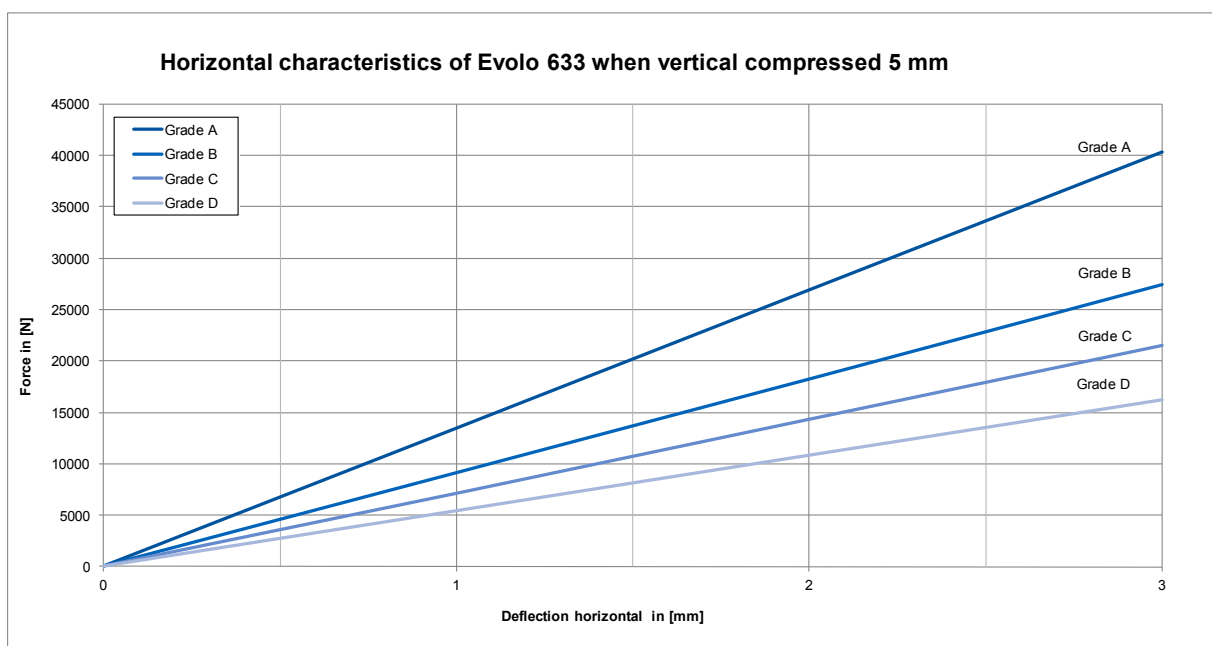
ADVANTAGES

- ✓ Optimum vibration isolation
- ✓ Easy and quick installation
- ✓ Build in end-limiter to protect against overload
- ✓ Capable of handling both vertical and horizontal forces
- ✓ Natural rubber gives maximum vibration isolation
- ✓ One type fits all weights between 1400 and 11800 kg
- ✓ The type is marked in the mounting plate for easy identification
- ✓ Stock item

STATIC VERTICAL CHARACTERISTICS



HORIZONTAL CHARACTERISTICS WHEN PRECOMPRESSED 5 MM



ABOUT LOGGERS

Loggers is **thought leader** and international recognized solution provider in the field of shock, vibration and noise control. With **excellent technical know-how** in combination with proven market knowledge and experience Loggers designs, develops and engineers **innovative solutions** for the most complex and challenging situations for leading clients worldwide for over 90 years.

Loggers understands all difficulties in the area of vibration, shock and noise control entirely.

We bring up the best and most cost effective solution for every challenge, regardless of its complexity. Loggers defines and engineers all deliverables necessary for solving your problem, ranging from standard to tailor-made solutions. Loggers' state-of-the-art portfolio contains all products and services to provide you with the optimal solution for relatively simple as well as the most complex challenges.

Products

- Vibration mounts
- Expansion joints
- Shock mounts

Services

- Assessment of current situation (on site)
- Analysis design including construction drawings
- Structural design and stress analysis
- Vibration measurement and analysis, if needed on site
- Solution definition based on:
 - standard products
 - customized products, or even
 - tailor-made new products, including prototyping
- Complete simulation of solution to ensure its effectiveness
- Testing including certification by independent certification authorities
- On site support during installation

Loggers understands both business and technology and brings both worlds together in satisfying customers' needs in rapidly changing environments. By working closely with clients Loggers enables them to realize their strategic targets through solving specific operational issues in the following market segments:

- Shipbuilding
- Dredging
- Defense
- Machinery
- Offshore
- Transportation



Version 01
December 2011

Loggers B.V.

Pieter Zeemanweg 133
3316 GZ Dordrecht
Mail: P.O. Box 194
3300 AD Dordrecht
The Netherlands
Phone: +31 (0) 78 6182844
Fax: +31 (0) 78 6180650
sales@loggers.nl

Loggers Schwingungstechnik GmbH

Am Markt 9
D-27419 Sittensen
Germany
Phone: +49 (0) 4282/5949-0
Fax: +49 (0) 4282/5949-39
sales@loggers.de

