

VIBRATION MOUNTS: EVOLO® SERIES

EVOLO® 633 EARTHQUAKE: GRADE E-H



LOGGERS



INTRODUCTION

Earthquakes in many countries around the world damage infrastructure and equipment. This not only results in production interruption and expensive repairs, but might also impede a swift response to the event. From both a social as an economic perspective, it is important that production is not disturbed or can be resumed quickly after the earthquake.

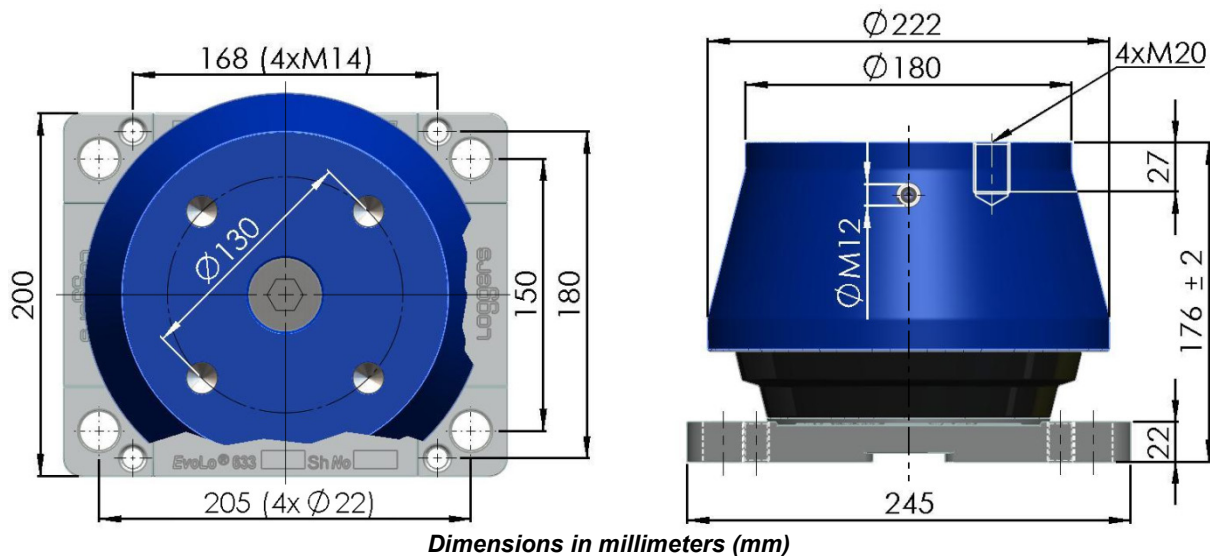
The EvoLo® 633 Earthquake (EQ) protects your equipment against moderate earthquakes that typically damage buildings and equipment, while also offering excellent vibration isolation capabilities. It is the cost-effective solution for the protection of your equipment against both earthquakes as vibrations. For example, generator sets protected by the EvoLo® 633 EQ ensure uninterrupted power-supply which is essential for resuming business activities.

APPLICATION

The EvoLo® 633 EQ provides optimum vibration isolation for a wide range of land-based applications and has proven to protect equipment against earthquakes up to even 5.9 on the Richter scale. The maximum level of protection for each specific application will be calculated and reported in advance with the simulation capabilities of Loggers' Center of Excellence. The EvoLo® 633 EQ is suitable for larger equipment with high weights that need optimal vibration isolation at high and low frequencies and also being protected against earthquakes. The applications of the EvoLo® 633 EQ include for example generator sets, pump units, large diesel engines, compressor/cooling units, gear boxes, windmills and control cabins.

TECHNICAL DATA

| Article No. without height adjustment | Grade | Maximum load |
|--|-------|--------------|
| 1030633E9 | E | 38 kN |
| 1030633F9 | F | 34 kN |
| 1030633G9 | G | 30 kN |
| 1030633H9 | H | 27 kN |



MATERIAL

Rubber part: Highest quality natural rubber

Metal: Aluminum

IDENTIFICATION

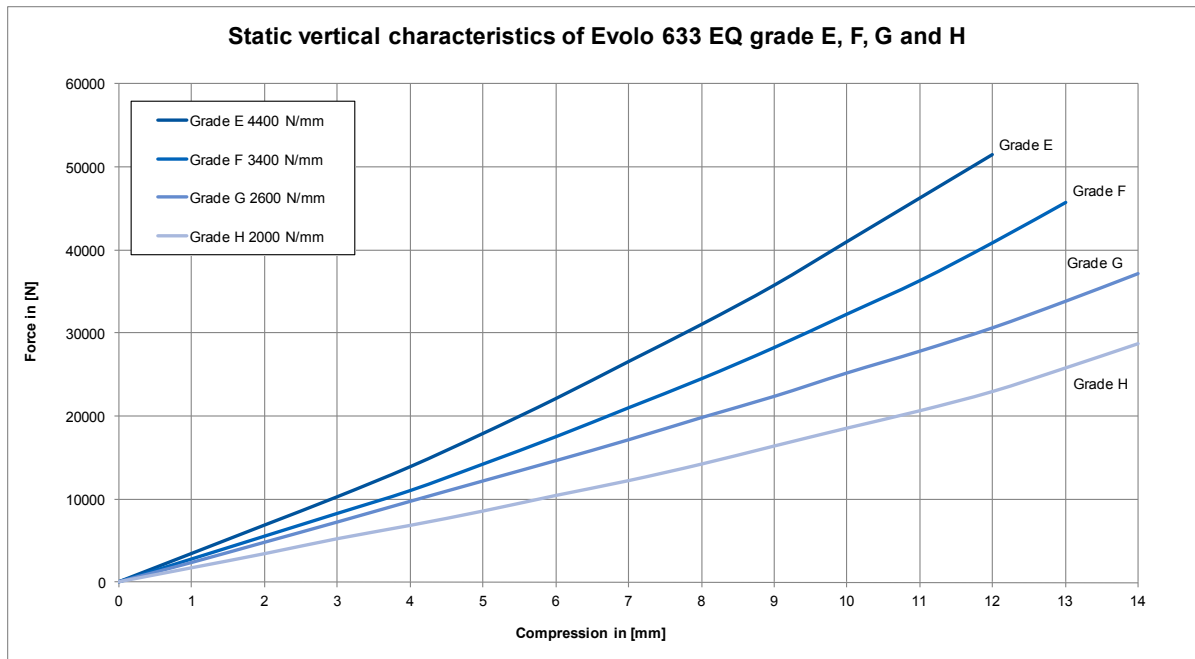
The type is marked in the mounting plate.

ADVANTAGES

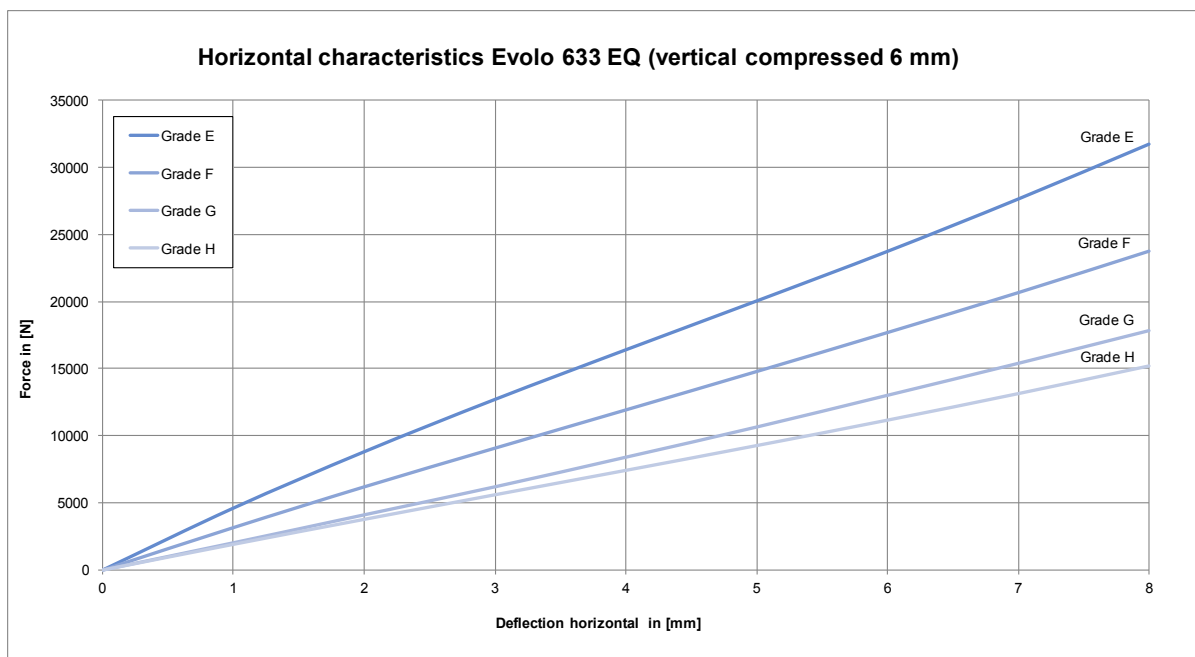
- ✓ Protection against moderate earthquakes up to 5.9 on the Richter scale
- ✓ Optimum vibration isolation
- ✓ Easy and quick installation
- ✓ Build in end-limiter to protect against overload
- ✓ Capable of handling both vertical and horizontal forces
- ✓ Natural rubber gives maximum vibration isolation
- ✓ One type fits all weights between 500 and 3800 kg
- ✓ Stock item

Pending approval by ABS, Lloyd’s Register, DNV and KRS.

STATIC VERTICAL CHARACTERISTICS



HORIZONTAL CHARACTERISTICS WHEN PRECOMPRESSED 6 MM



ABOUT LOGGERS

Loggers is **thought leader** and international recognized solution provider in the field of shock, vibration and noise control. With **excellent technical know-how** in combination with proven market knowledge and experience Loggers designs, develops and engineers **innovative solutions** for the most complex and challenging situations for leading clients worldwide for over 90 years.

Loggers understands all difficulties in the area of vibration, shock and noise control entirely.

We bring up the best and most cost effective solution for every challenge, regardless of its complexity. Loggers defines and engineers all deliverables necessary for solving your problem, ranging from standard to tailor-made solutions. Loggers' state-of-the-art portfolio contains all products and services to provide you with the optimal solution for relatively simple as well as the most complex challenges.

Products

- Vibration mounts
- Expansion joints
- Shock mounts

Services

- Assessment of current situation (on site)
- Analysis design including construction drawings
- Structural design and stress analysis
- Vibration measurement, calculation and analysis, if needed on site
- Solution definition based on:
 - standard products
 - customized products, or even
 - tailor-made new products, including prototyping
- Complete simulation of solution to ensure its effectiveness
- Testing including certification by independent certification authorities
- On site support during installation

Loggers understands both business and technology and brings both worlds together in satisfying customers' needs in rapidly changing environments. By working closely with clients Loggers enables them to realize their strategic targets through solving specific operational issues in the following market segments:

- Shipbuilding
- Dredging
- Defense
- Machinery
- Offshore
- Transportation



Version 02
March 2012

Loggers B.V.

Pieter Zeemanweg 133
3316 GZ Dordrecht
Mail: P.O. Box 194
3300 AD Dordrecht
The Netherlands
Phone: +31 (0) 78 6182844
Fax: +31 (0) 78 6180650
sales@loggers.nl

Loggers Schwingungstechnik GmbH

Am Markt 9
D-27419 Sittensen
Germany
Phone: +49 (0) 4282/5949-0
Fax: +49 (0) 4282/5949-39
sales@loggers.de

