

## WRI P9500 SERIES

WIRE ROPE ISOLATORS



**LOGGERS**

## INTRODUCTION

Loggers WRI Series polycal wire rope isolators offer cost-effective and durable protection against shock and vibration. These all-metal isolators are captive, which means that the connection between the mounted object and its foundation is ensured at all times. WRI Series isolators are easy to install, maintenance-free and renowned for their long lifetime. Typical applications include the shockproof mounting of cabinets, equipment and packaging and within crating solutions.

The specialists of our Center of Excellence assist clients worldwide with the application of wire rope isolators for their systems. Their approach ensures that the optimal isolator for a specific situation is selected. Important calculation parameters such as the object's mass, center of gravity, vibration and desired rest shock levels are taken into account during the selection process.

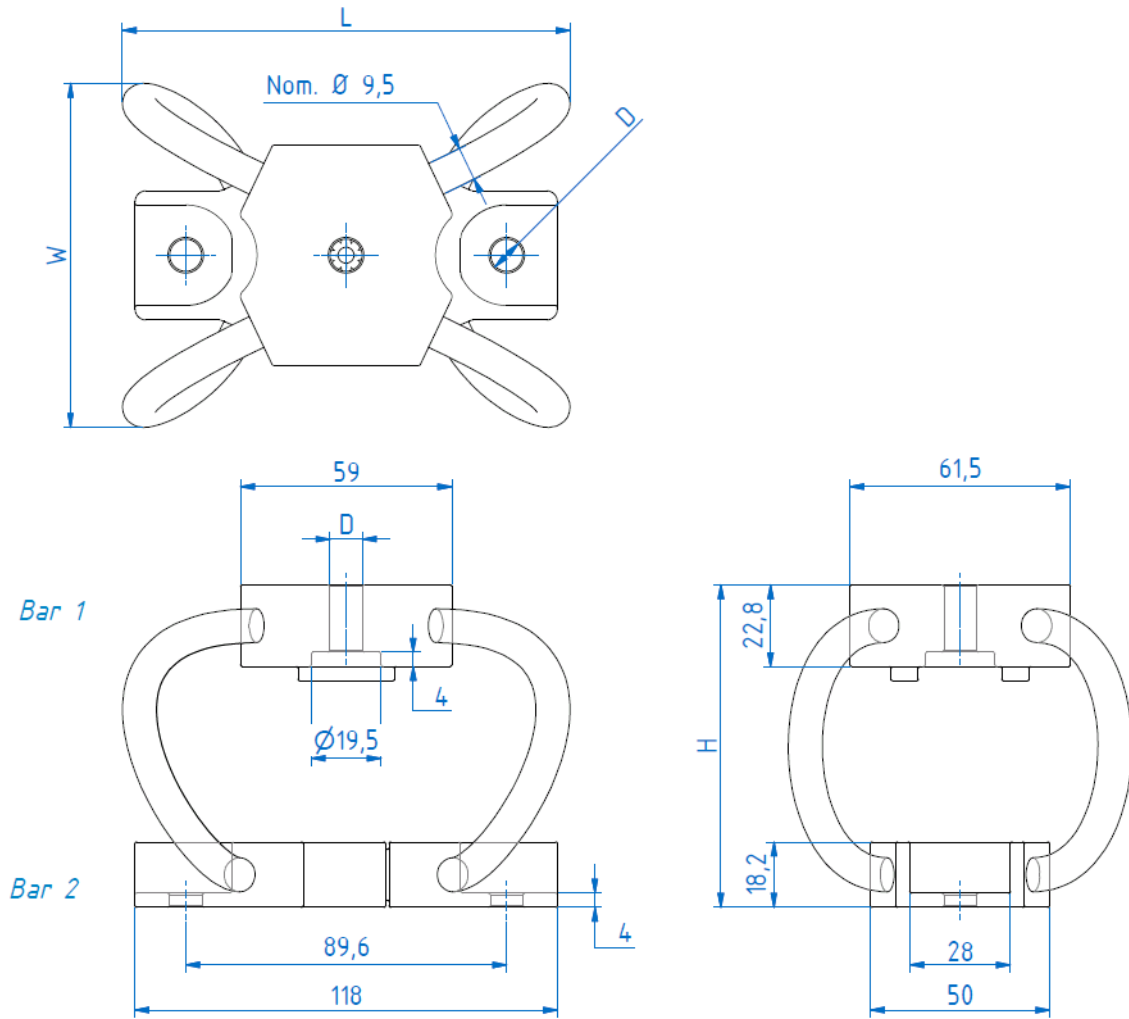
Please note that this datasheet covers standard versions only. Loggers polycal wire rope isolators can be tailored to meet specific client requirements.

## GENERAL PROPERTIES

- Reliable, captive shock and vibration isolator
- Polycal shape
- Temperature range: - 180 °C to + 300 °C
- Bars: aluminum alloy  
Cable: Ø9,5mm, stainless steel
- Top bar: 1 mounting hole (through, Ø9 mm), M12 insert optional.  
Bottom bar: 2 mounting holes (through, Ø9 mm)



## DIMENSIONS



Dimensions in mm. For reference only.

Model	height H (mm)	width W (mm)	length L (mm)	mass (kg)
P9510	77	90	116	0,53
P9520	84	91	122	0,54
P9530	90	96	125	0,56
P9540	102	106	135	0,58
P9550	128	128	146	0,65

## WRI P9500 SERIES CHARACTERISTICS

The characteristics provided in this document allow basic selection of P9500 Series wire rope isolators, based upon their characteristics for maximum static load and shock. Please note that more detailed characteristics and curves are available upon request.

### Compression and tension

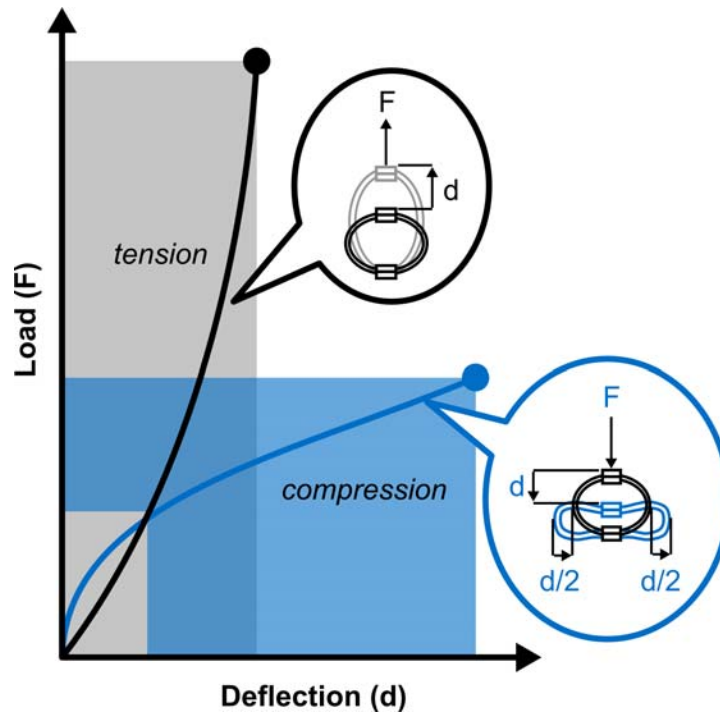


fig. 1. Compression and tension

Type	Compression				Tension			
	1.) Max. static		2.) Max. shock		1.) Max. static		2.) Max. shock	
	F (daN)	d (mm)	F (daN)	d (mm)	F (daN)	d (mm)	F (daN)	d (mm)
P9510	30,3	5,9	91	32	30,3	5,4	320	26
P9520	25,8	6,8	77,3	37	25,8	6,3	277	31
P9530	24,2	7,9	72,5	43	24,2	7	245	32
P9540	21,9	10	65,8	54	21,9	7,9	201	34
P9550	16,7	14,2	50	77	16,7	10,3	142	41

## Compression and tension at 45° roll

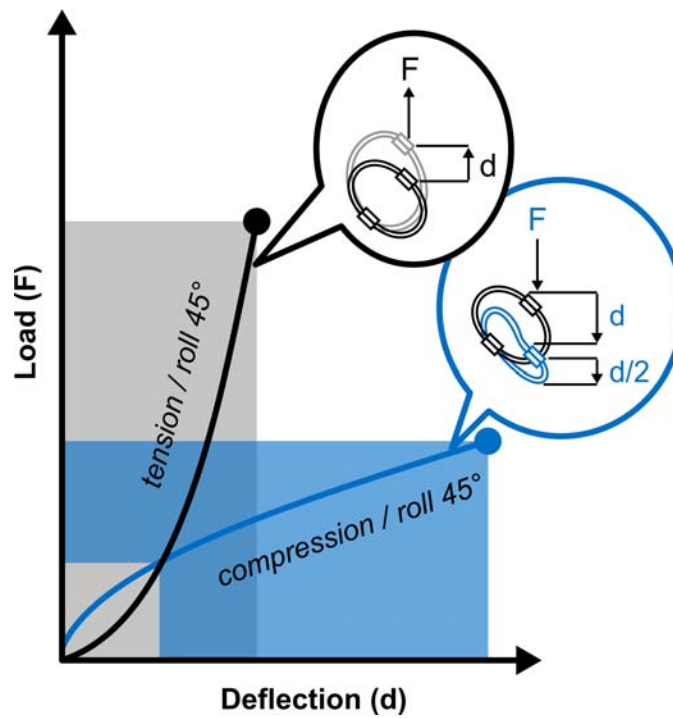


fig. 2. Compression and tension at 45° roll

Type	Compression at 45° roll				Tension at 45° roll			
	1.) Max. static		2.) Max. shock		1.) Max. static		2.) Max. shock	
	F (daN)	d (mm)	F (daN)	d (mm)	F (daN)	d (mm)	F (daN)	d (mm)
P9510	22,8	9,9	57,3	48	22,8	8,3	238	34
P9520	19,3	11,6	48,8	56	19,3	9,7	206	41
P9530	18,1	13,7	45,3	65	18,1	10,8	182	43
P9540	16,5	17,5	40,4	81	16,5	12,2	148	45
P9550	12,5	25,7	30,2	116	12,5	16,1	104	55

## Shear and roll

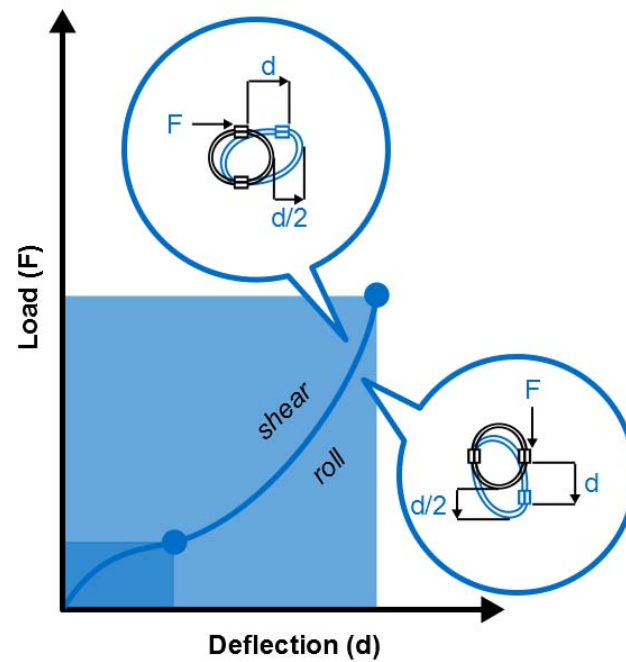


fig. 3. Shear and roll

Type	Shear or roll			
	1.) Max. static		2.) Max. shock	
	F (daN)	d (mm)	F (daN)	d (mm)
P9510	15,2	11,2	99	38
P9520	12,9	12,9	85,9	44,2
P9530	12,1	15	74,7	49
P9540	11	18,9	59,4	55
P9550	8,3	26,9	40,3	73

## ABOUT LOGGERS

Loggers is thought leader and international recognized solution provider in the field of shock, vibration and noise control. With excellent technical know-how in combination with proven market knowledge and experience Loggers designs, develops and engineers innovative solutions for the most complex and challenging situations for leading clients worldwide for over 95 years.

Loggers understands all difficulties in the area of vibration, shock and noise control entirely. We bring up the best and most cost effective solution for every challenge, regardless of its complexity. Loggers defines and engineers all deliverables necessary for solving your problem, ranging from standard to tailor-made solutions. Loggers' state-of-the-art portfolio contains all products and services to provide you with the optimal solution for relatively simple as well as the most complex challenges.

### Products

- Vibration isolators
- Expansion joints
- Shock isolators

### Services

- Assessment of current situation (on site)
- Analysis design including construction drawings
- Structural design and stress analysis
- Vibration measurement and analysis, if needed on site
- Solution definition based on: standard products, customized products, or even tailor-made new products
- Complete simulation of solution to ensure its effectiveness
- Testing including certification by independent certification authorities

Loggers understands both business and technology and brings both worlds together in satisfying customers' needs in rapidly changing environments. By working closely with clients Loggers enables them to realize their strategic targets through solving specific operational issues in the following market segments:

- Shipbuilding
- Dredging
- Defense
- Machinery
- Offshore
- Transport

[www.loggers.eu](http://www.loggers.eu)

© Copyright 2015, Loggers B.V. All rights reserved.

#### **Loggers B.V.**

Pieter Zeemanweg 133  
3316 GZ Dordrecht  
Mail: P.O. Box 194  
3300 AD Dordrecht  
The Netherlands  
Phone: +31 (0) 78 6182844  
Fax: +31 (0) 78 6180650  
sales@loggers.nl

#### **Loggers Schwingungstechnik GmbH**

Am Markt 9  
D-27419 Sittensen  
Germany  
Phone: +49 (0) 4282/5949-0  
Fax: +49 (0) 4282/5949-39  
sales@loggers.de