

WRI P22000 SERIES

WIRE ROPE ISOLATORS



LOGGERS

INTRODUCTION

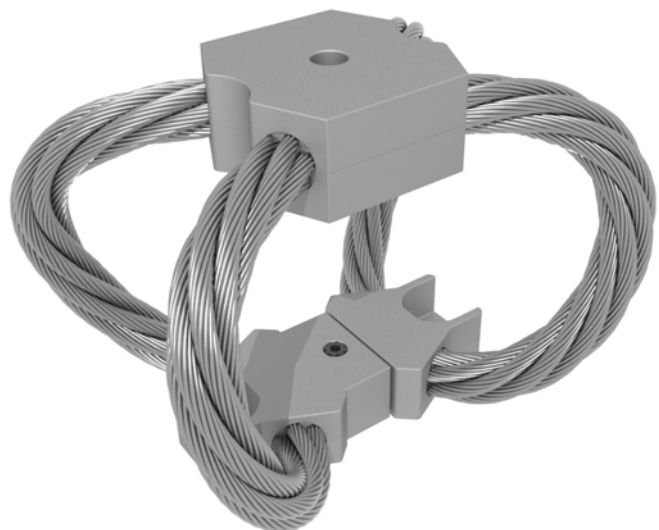
Loggers WRI Series polycal wire rope isolators offer cost-effective and durable protection against shock and vibration. These all-metal isolators are captive, which means that the connection between the mounted object and its foundation is ensured at all times. WRI Series isolators are easy to install, maintenance-free and renowned for their long lifetime. Typical applications include the shockproof mounting of cabinets, equipment and packaging and within crating solutions.

The specialists of our Center of Excellence assist clients worldwide with the application of wire rope isolators for their systems. Their approach ensures that the optimal isolator for a specific situation is selected. Important calculation parameters such as the object's mass, center of gravity, vibration and desired rest shock levels are taken into account during the selection process.

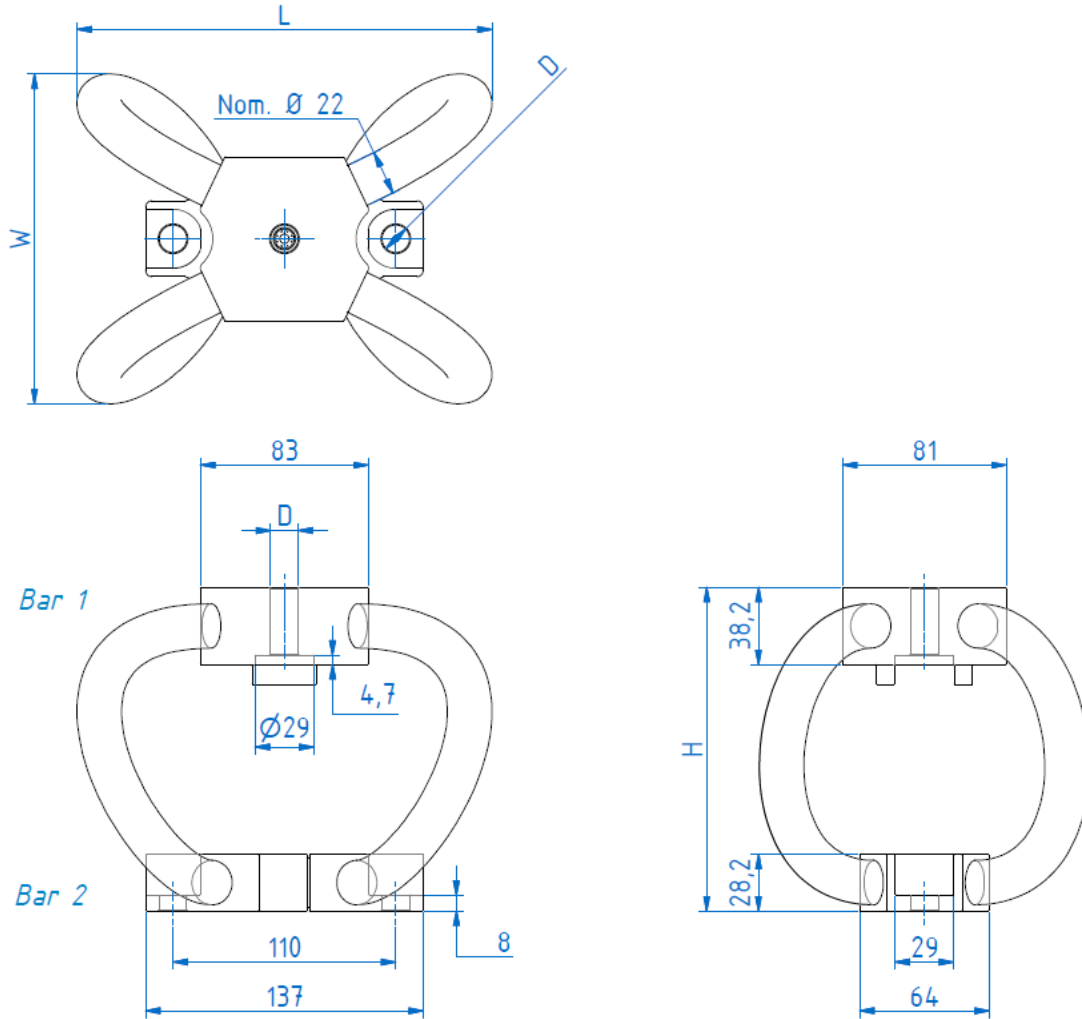
Please note that this datasheet covers standard versions only. Loggers polycal wire rope isolators can be tailored to meet specific client requirements.

GENERAL PROPERTIES

- Reliable, captive shock and vibration isolator
- Polycal shape
- Temperature range: - 180 °C to + 300 °C
- Bars: aluminum alloy
Cable: Ø22mm, stainless steel
- Top bar: 1 mounting hole (through, Ø13,5 mm), M16 insert optional.
Bottom bar: 2 mounting holes (through, Ø13,5 mm)



DIMENSIONS



Dimensions in mm. For reference only.

Model	height H (mm)	width W (mm)	length L (mm)	mass (kg)
P22010	133	141	181	2,23
P22020	154	152	184	2,7
P22040	160	163	205	2,92
P22060	194	185	222	3,6
P22070	220	208	242	4,25

WRI P22000 SERIES CHARACTERISTICS

The characteristics provided in this document allow basic selection of P22000 Series wire rope isolators, based upon their characteristics for maximum static load and shock. Please note that more detailed characteristics and curves are available upon request.

Compression and tension

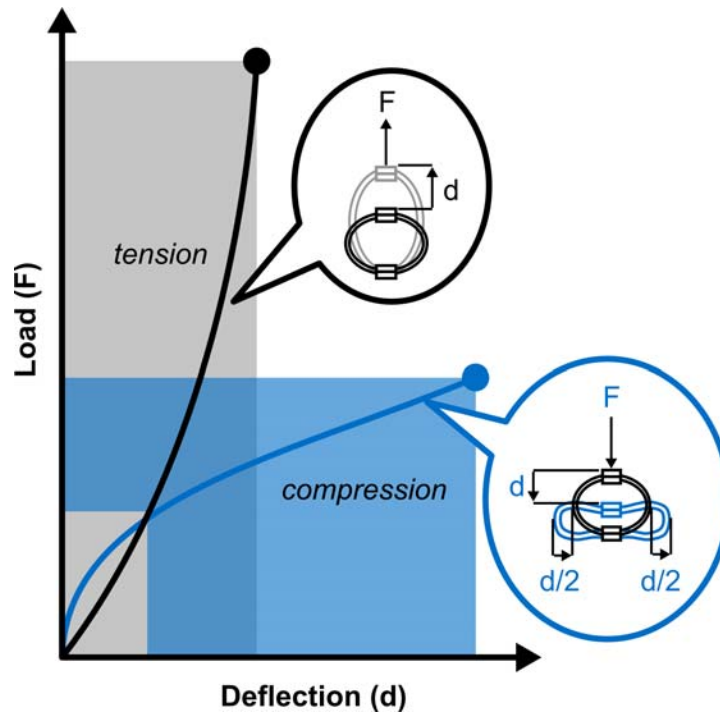


fig. 1. Compression and tension

Type	Compression				Tension			
	1.) Max. static		2.) Max. shock		1.) Max. static		2.) Max. shock	
	F (daN)	d (mm)	F (daN)	d (mm)	F (daN)	d (mm)	F (daN)	d (mm)
P22010	264	11,6	792	63	264	10	2639	46
P22020	245	14,8	734	80	245	11,2	2159	46
P22040	201	16,2	603	88	201	13,4	1923	59
P22060	183	21,2	548	115	183	14,9	1521	59
P22070	148	26,2	444	142	148	18,1	1215	70

Compression and tension at 45° roll

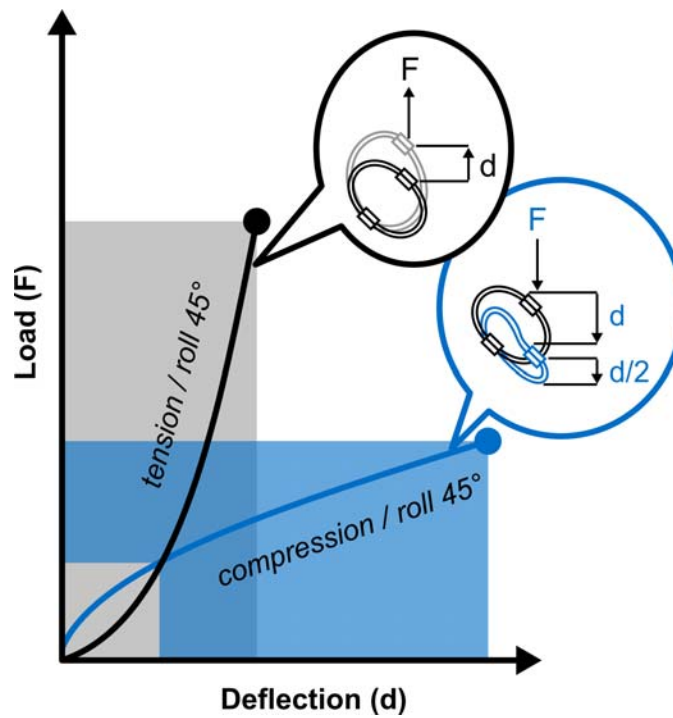


fig. 2. Compression and tension at 45° roll

Type	Compression at 45° roll				Tension at 45° roll			
	1.) Max. static		2.) Max. shock		1.) Max. static		2.) Max. shock	
	F (daN)	d (mm)	F (daN)	d (mm)	F (daN)	d (mm)	F (daN)	d (mm)
P22010	198	20,7	494	95	198	15,6	1953	62
P22020	183	26,8	447	120	183	17,4	1581	62
P22040	151	29,7	373	132	151	20,8	1418	79
P22060	137	38,6	329	173	137	23,3	1108	78
P22070	111	47,2	266	213	111	28,2	883	94

Shear and roll

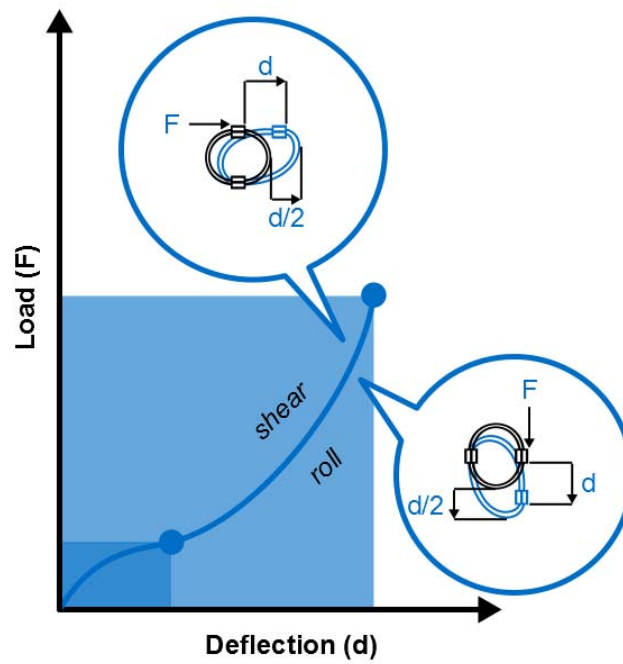


fig. 3. Shear and roll

Type	Shear or roll			
	1.) Max. static		2.) Max. shock	
	F (daN)	d (mm)	F (daN)	d (mm)
P22010	132	22	813	70
P22020	122	28	635	79
P22040	101	30,8	570	94
P22060	91,3	40,2	434	107
P22070	74	49,6	340	130

ABOUT LOGGERS

Loggers is thought leader and international recognized solution provider in the field of shock, vibration and noise control. With excellent technical know-how in combination with proven market knowledge and experience Loggers designs, develops and engineers innovative solutions for the most complex and challenging situations for leading clients worldwide for over 95 years.

Loggers understands all difficulties in the area of vibration, shock and noise control entirely. We bring up the best and most cost effective solution for every challenge, regardless of its complexity. Loggers defines and engineers all deliverables necessary for solving your problem, ranging from standard to tailor-made solutions. Loggers' state-of-the-art portfolio contains all products and services to provide you with the optimal solution for relatively simple as well as the most complex challenges.

Products

- Vibration isolators
- Expansion joints
- Shock isolators

Services

- Assessment of current situation (on site)
- Analysis design including construction drawings
- Structural design and stress analysis
- Vibration measurement and analysis, if needed on site
- Solution definition based on: standard products, customized products, or even tailor-made new products
- Complete simulation of solution to ensure its effectiveness
- Testing including certification by independent certification authorities

Loggers understands both business and technology and brings both worlds together in satisfying customers' needs in rapidly changing environments. By working closely with clients Loggers enables them to realize their strategic targets through solving specific operational issues in the following market segments:

- Shipbuilding
- Dredging
- Defense
- Machinery
- Offshore
- Transport

www.loggers.eu

© Copyright 2015, Loggers B.V. All rights reserved.

Loggers B.V.

Pieter Zeemanweg 133
3316 GZ Dordrecht
Mail: P.O. Box 194
3300 AD Dordrecht
The Netherlands
Phone: +31 (0) 78 6182844
Fax: +31 (0) 78 6180650
sales@loggers.nl

Loggers Schwingungstechnik GmbH

Am Markt 9
D-27419 Sittensen
Germany
Phone: +49 (0) 4282/5949-0
Fax: +49 (0) 4282/5949-39
sales@loggers.de