

WRI H5000 SERIES

WIRE ROPE ISOLATORS



LOGGERS

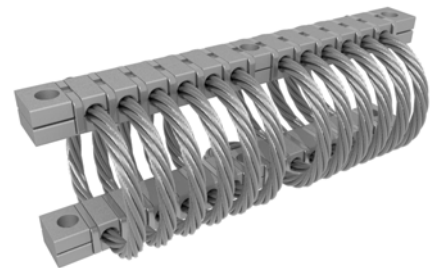
INTRODUCTION

Loggers WRI Series helical wire rope isolators offer cost-effective and durable protection against shock and vibration. These all-metal isolators are captive, which means that the connection between the mounted object and its foundation is ensured at all times. WRI Series isolators are easy to install, maintenance-free and renowned for their long lifetime. Typical applications include the shockproof mounting of cabinets, equipment and packaging and within crating solutions.

The specialists of our Center of Excellence assist clients worldwide with the application of wire rope isolators for their systems. Their approach ensures that the optimal isolator for a specific situation is selected. Important calculation parameters such as the object's mass, center of gravity, vibration and desired rest shock levels are taken into account during the selection process.

GENERAL PROPERTIES

- Reliable, captive shock and vibration isolator
- Helical shape with 11 loops.
- Temperature range: - 180 °C to + 300 °C
- Bars: aluminum alloy
Cable: Ø5mm, stainless steel
Screws: Alloy steel / zinc plated
- 3 mounting holes (Ø6,4 mm) in top bar, 3 in bottom bar
90° countersunk holes and/or M6 inserts optional (please refer to table below)



This datasheet covers standard versions only. Please consult Loggers for more information on custom versions with a different number of loops or specific bar types.

BAR CUSTOMIZATION OPTIONS

Both bars of the H5000 Series helical wire rope isolators can be fully customized to meet specific requirements. The standard version of this isolator has through holes, but it is also available with countersunk holes and/or inserts.

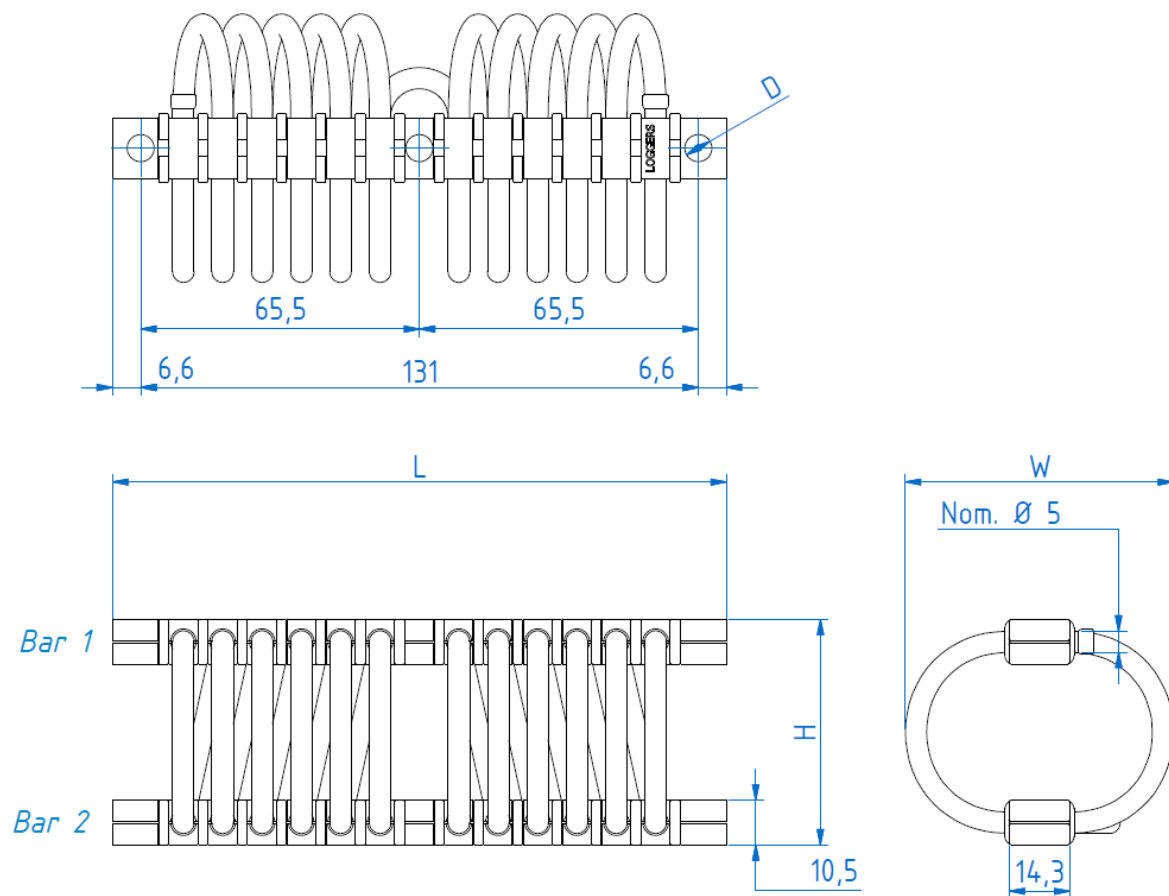
The table shows the codes used for the most common options. For specific requirements, please contact our sales department.

* = Custom option, available upon request.

	BAR 1		
	3 through holes Ø 6,4 mm	3 through holes Ø 6,4 mm countersunk 90°	3 bar inserts M6
BAR 2			
3 through holes Ø 6,4 mm	TT	*	*
3 through holes Ø 6,4 mm countersunk 90°	CT	CC	*
3 bar inserts M6	IT	IC	II

DIMENSIONS & WEIGHT

Series H5000



Dimensions in mm. For reference only.

Model	height H (mm)	width W (mm)	length L (mm)	mass (kg)
H5040	51	58	144,2	0,27
H5045	53	63	144,2	0,28
H5047	52	70	144,2	0,29
H5050	55	74	144,2	0,3
H5055	57	80	144,2	0,31
H5060	82	106	144,2	0,39

WRI H5000 SERIES CHARACTERISTICS

The characteristics provided in this document allow basic selection of H5000 Series wire rope isolators, based upon their characteristics for maximum static load and shock. Please note that more detailed characteristics and curves are available upon request.

Compression and tension

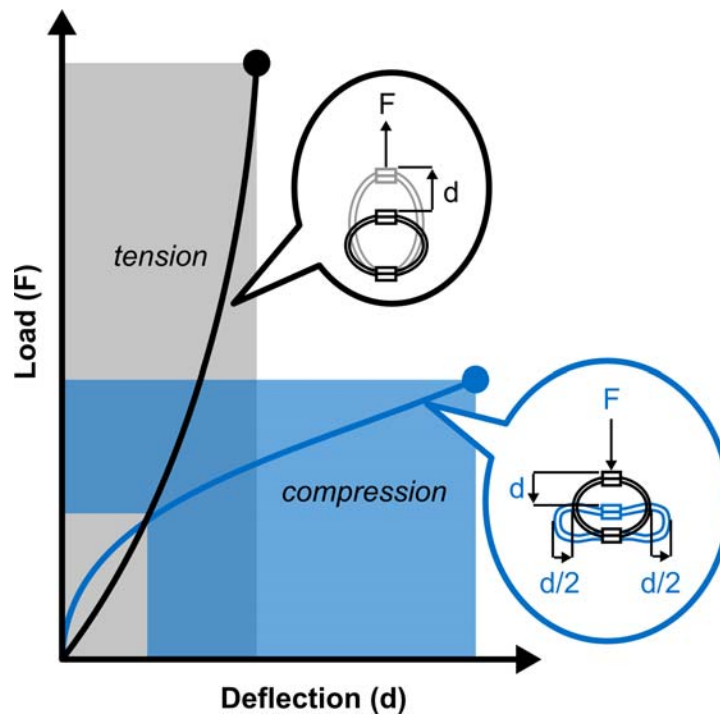


fig. 1. Compression and tension

Type	Compression				Tension			
	1.) Max. static		2.) Max. shock		1.) Max. static		2.) Max. shock	
	F (daN)	d (mm)	F (daN)	d (mm)	F (daN)	d (mm)	F (daN)	d (mm)
H5035	46,3	4,7	139	27	46,3	3,2	362	12
H5040	47,6	4,7	143	27	47,6	3,2	373	12
H5045	41,4	5,4	124	29	41,4	3,9	353	16
H5047	32,5	5,1	97,6	28	32,5	4,7	343	23
H5050	29,7	5,7	89,2	31	29,7	5,1	311	25
H5055	25,6	5,9	76,9	32	25,6	5,7	292	29
H5060	17,2	10,1	51,5	55	17,2	8,5	167	38

Compression and tension at 45° roll

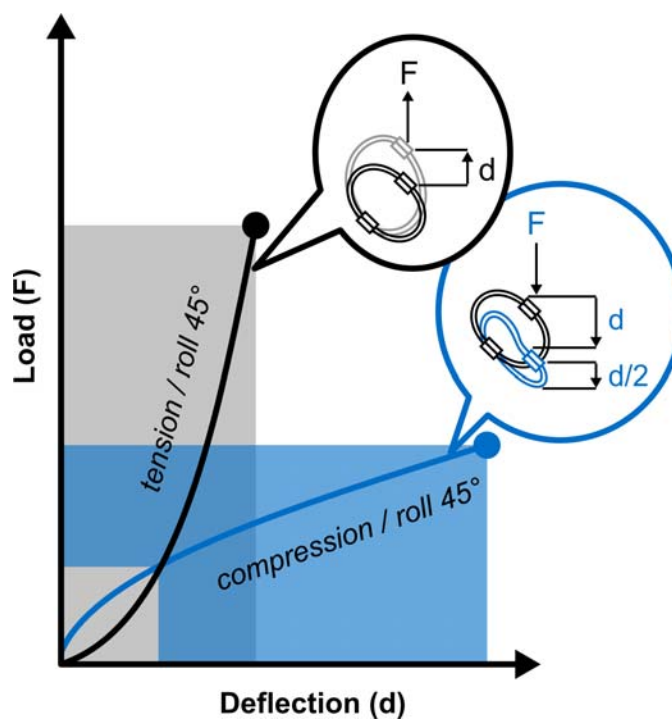


fig. 2. Compression and tension at 45° roll

Type	Compression at 45° roll				Tension at 45° roll			
	1.) Max. static		2.) Max. shock		1.) Max. static		2.) Max. shock	
	F (daN)	d (mm)	F (daN)	d (mm)	F (daN)	d (mm)	F (daN)	d (mm)
H5035	34,7	8,3	82,3	41	34,7	5	262	16
H5040	35,7	8,3	84,7	41	35,7	5	270	16
H5045	31,1	8,9	75,1	44	31,1	6,1	258	21
H5047	24,4	7,3	61,4	42	24,4	7,2	255	30
H5050	22,3	9,6	56,1	47	22,3	8	231	33
H5055	19,2	9,9	49	48	19,2	8,8	218	39
H5060	12,9	17,9	32	83	12,9	13,3	123	51

Shear and roll

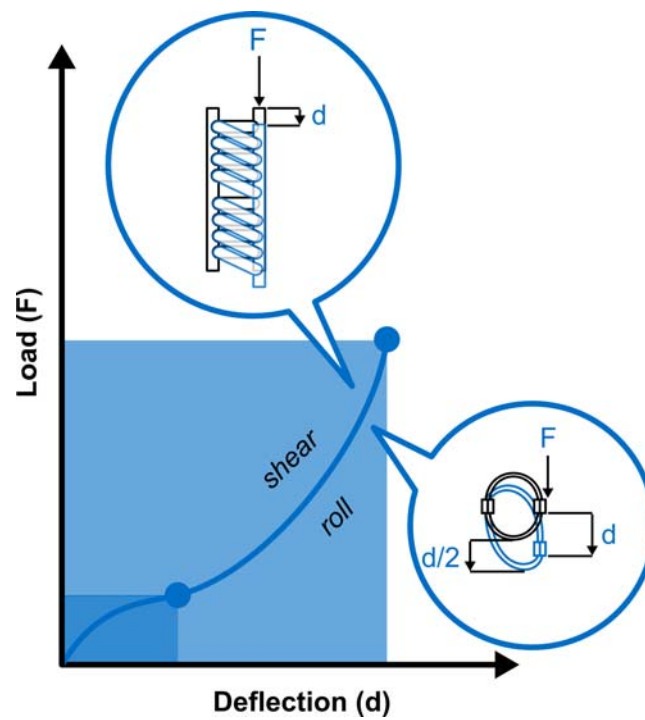


fig. 3. Shear and roll

Type	Shear or roll			
	1.) Max. static		2.) Max. shock	
	F (daN)	d (mm)	F (daN)	d (mm)
H5035	23,1	9,4	108	24
H5040	23,8	9,4	111	24
H5045	20,7	10,1	109	28
H5047	16,3	9,8	108	33
H5050	14,9	10,8	96,7	36
H5055	12,8	11,2	90,7	41
H5060	8,6	19,2	49,7	60

ABOUT LOGGERS

Loggers is thought leader and international recognized solution provider in the field of shock, vibration and noise control. With excellent technical know-how in combination with proven market knowledge and experience Loggers designs, develops and engineers innovative solutions for the most complex and challenging situations for leading clients worldwide for over 95 years.

Loggers understands all difficulties in the area of vibration, shock and noise control entirely. We bring up the best and most cost effective solution for every challenge, regardless of its complexity. Loggers defines and engineers all deliverables necessary for solving your problem, ranging from standard to tailor-made solutions. Loggers' state-of-the-art portfolio contains all products and services to provide you with the optimal solution for relatively simple as well as the most complex challenges.

Products

- Vibration isolators
- Expansion joints
- Shock isolators

Services

- Assessment of current situation (on site)
- Analysis design including construction drawings
- Structural design and stress analysis
- Vibration measurement and analysis, if needed on site
- Solution definition based on: standard products, customized products, or even tailor-made new products
- Complete simulation of solution to ensure its effectiveness
- Testing including certification by independent certification authorities
- On site support during installation

Loggers understands both business and technology and brings both worlds together in satisfying customers' needs in rapidly changing environments. By working closely with clients Loggers enables them to realize their strategic targets through solving specific operational issues in the following market segments:

- Shipbuilding
- Dredging
- Defense
- Machinery
- Offshore
- Transport

www.loggers.eu

© Copyright 2015, Loggers B.V. All rights reserved.

Loggers B.V.

Pieter Zeemanweg 133
3316 GZ Dordrecht
Mail: P.O. Box 194
3300 AD Dordrecht
The Netherlands
Phone: +31 (0) 78 6182844
Fax: +31 (0) 78 6180650
sales@loggers.nl

Loggers Schwingungstechnik GmbH

Am Markt 9
D-27419 Sittensen
Germany
Phone: +49 (0) 4282/5949-0
Fax: +49 (0) 4282/5949-39
sales@loggers.de