

# EXPANSION JOINTS: ERV SERIES

ERV GREEN DN25-600



**LOGGERS**



## INTRODUCTION

Temperature variations, settling in foundations, vibrations, forces and deformations cause noise, movement and/or stress in pipeline systems. To ensure flawless operation of the system it is necessary to insert flexible parts to absorb the movements preventing structural damage.

Loggers' rubber expansion joints (also known as rubber compensators) neutralize the negative effects of these factors for pipeline systems that are exposed to chemicals and/or high pressures. The ERV series consists of a wide program of high quality rubber expansion joints for various applications that carry one or more approvals by certification authorities. For every situation Loggers has the appropriate qualified rubber expansion joints that, amongst others:

- Compensate movement and expansion
- Absorb stress in the system
- Reduce noise transmissions and vibration
- Compensate ground and foundation settling
- Compensate inaccurate assembly
- Serve as dismantling joints on fittings

The ERV series rubber expansion joints are used worldwide for various applications like chemical pipelines, fuel pipelines and (cooling) water pipelines.

## ERV GREEN DN25-600

The ERV Green rubber expansion joint is used for flexible connections in pipeline systems for chemicals, acids, alkalis and chemically aggressive waste water. The flanges of the ERV Green are rotatable and standard available in DIN PN10 and PN16. The maximum working pressure is 16 bar or 10 bar for larger diameters. The operating temperature of this expansion joint ranges from -20° to 100 °C. In addition, the ERV green can also be used for applications with oil-contaminated air with temperatures up to 90 °C.

## CONSTRUCTION

- Durable seamless Hypalon (CSM) inner wall
- PA-textile reinforced bellows
- Hypalon (CSM) outer wall
- Electrically non-conductive
- Rotatable flanges, galvanized steel

## OPTIONS

- Most sizes available in different neutral lengths
- Flanges according to DIN PN6, PN25, PN40, ASA 150 lbs or BS10
- Flanges in stainless steel or bronze.
- Tie rods
- PTFE lining
- Vacuum support rings
- Fire protection cover

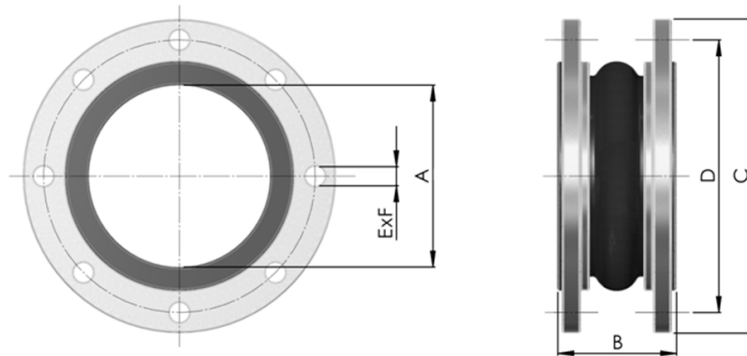
## TYPE APPROVALS

Approved by Germanischer Lloyd.

## MOVEMENTS

The maximum movements for the ERV Green expansion joint stated below apply to the neutral length for operating temperatures up to +50 °C and are not in combination (no lateral/axial movements simultaneously). The permissible movements are reduced by 25% for temperatures between +50 °C and +70 °C and by 40% for temperatures between +70 °C and +90 °C. Use of the optional vacuum ring leads to a reduction of 50%.

Nominal diameter (mm)	Compression (mm)	Elongation (mm)	Lateral (mm)	Angular (degrees)
25-80	30	20	30	30
100-150	30	20	30	20
200	25	30	30	10
250-300	10	30	20	5
350-600	40	35	35	8



## TECHNICAL DATA

Article no.	Inside diameter A (mm)	Length B (mm)	Working pressure (bar)	Flange dimensions class	Outside diameter C (mm)	Pitch D (mm)	E x F (number x mm)
300044025	25	130	16	DIN PN10/16	115	85	4x14
300044032	32	130	16	DIN PN10/16	140	100	4x18
300044040	40	130	16	DIN PN10/16	150	110	4x18
300044050	50	130	16	DIN PN10/16	165	125	4x18
300044065	65	130	16	DIN PN10/16	185	145	4x18
300044080	80	130	16	DIN PN10/16	200	160	8x18
300044100	100	130	16	DIN PN10/16	220	180	8x18
300044125	125	130	16	DIN PN10/16	250	210	8x18
300044150	150	130	16	DIN PN10/16	285	240	8x22
300044201	200	130	10	DIN PN10	340	295	8x22
300044200	200	130	16	DIN PN16	340	295	12x22
300044251	250	130	10	DIN PN10	395	350	12x22
300044250	250	130	16	DIN PN16	405	355	12x26
300044301	300	130	10	DIN PN10	445	400	12x22
300044300	300	130	16	DIN PN16	460	410	12x26
300044351	350	200	10	DIN PN10	505	460	16x22
300044401	400	200	10	DIN PN10	565	515	16x26
300044501	500	200	10	DIN PN10	670	620	20x26
300044601	600	200	10	DIN PN10	780	725	20x30

# ABOUT LOGGERS

Loggers is **thought leader** and international recognized solution provider in the field of shock, vibration and noise control. With **excellent technical know-how** in combination with proven market knowledge and experience Loggers designs, develops and engineers **innovative solutions** for the most complex and challenging situations for leading clients worldwide for over 90 years.

## Loggers understands all difficulties in the area of vibration, shock and noise control entirely.

We bring up the best and most cost effective solution for every challenge, regardless of its complexity. Loggers defines and engineers all deliverables necessary for solving your problem, ranging from standard to tailor-made solutions. Loggers' state-of-the-art portfolio contains all products and services to provide you with the optimal solution for relatively simple as well as the most complex challenges.

### Products

- Vibration mounts
- Expansion joints
- Shock mounts

### Services

- Assessment of current situation (on site)
- Analysis design including construction drawings
- Structural design and stress analysis
- Vibration measurement, calculation and analysis, if needed on site
- Solution definition based on:
  - standard products
  - customized products, or even
  - tailor-made new products, including prototyping
- Complete simulation of solution to ensure its effectiveness
- Testing including certification by independent certification authorities
- On site support during installation

Loggers understands both business and technology and brings both worlds together in satisfying customers' needs in rapidly changing environments. By working closely with clients Loggers enables them to realize their strategic targets through solving specific operational issues in the following market segments:

- Shipbuilding
- Dredging
- Defense
- Machinery
- Offshore
- Transportation



Version 02  
February 2012

### Loggers B.V.

Pieter Zeemanweg 133  
3316 GZ Dordrecht  
Mail: P.O. Box 194  
3300 AD Dordrecht  
The Netherlands  
Phone: +31 (0) 78 6182844  
Fax: +31 (0) 78 6180650  
sales@loggers.nl

### Loggers Schwingungstechnik GmbH

Am Markt 9  
D-27419 Sittensen  
Germany  
Phone: +49 (0) 4282/5949-0  
Fax: +49 (0) 4282/5949-39  
sales@loggers.de

