

EXPANSION JOINTS: BALANCE SERIES

BALANCE VI: DN40-250



LOGGERS



INTRODUCTION

Pipeline systems are exposed to temperature variations, settling in foundations, forces and deformations causing movement and/or stress in the system. To ensure flawless operation of the system it is necessary to insert flexible parts to absorb the movements preventing structural damage.

To provide excellent vibration isolation and flexibility to the pipeline system Loggers delivers top of the line stainless steel expansion joints, the Balance® series. With the Balance® series Loggers offers a complete program of expansion joints for various applications including one or more approvals by certification authorities like ABS, Bureau Veritas, and German Lloyds. For each situation we can offer you solutions (without affecting the pipeline system) with Loggers qualified expansion joints that:

- Compensate movement
- Compensate expansion
- Absorb stress in the system
- Reduce noise transmissions
- Reduce vibration
- Compensate ground and foundation settling
- Compensate inaccurate assembly
- Serve as dismantling joints on fittings

Our complete portfolio consists of standard expansion joints as well as our special customized expansion joints. Balance® series expansion joints are used worldwide for various applications like exhaust gas lines, low and high pressure pipe systems.

BALANCE VI: DN40-250

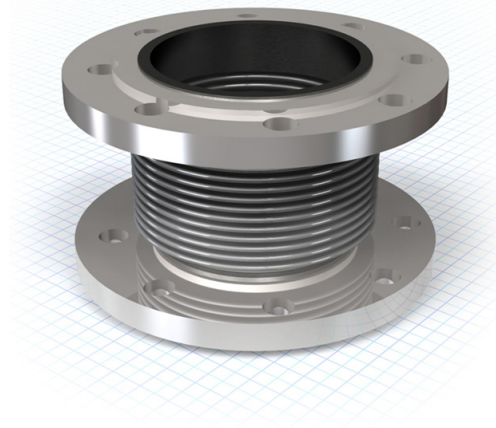
The Balance® VI is stainless steel expansion joint with rotatable galvanized carbon steel flanges according to DIN PN 16. It is used for compensating movements and misalignments in systems under high pressure. Due to the double ply bellows this compensator is able to compensate axial movements effectively. The maximum operating temperature of the Balance® VI is +300 °C, the maximum working pressure 16 bar (120 °C).

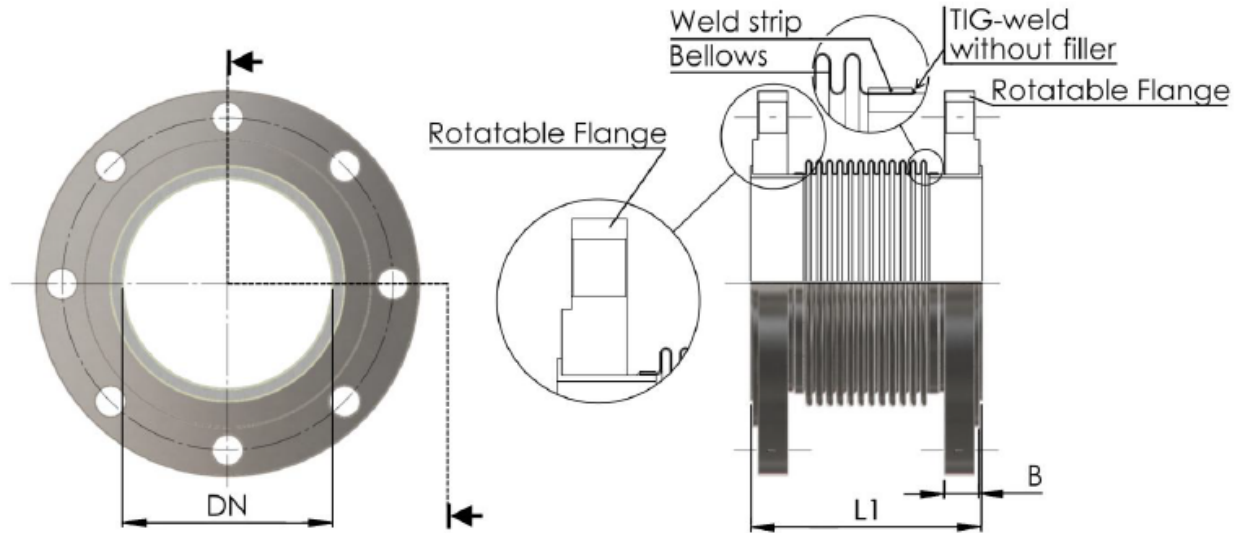
APPROVALS

Approved by Bureau Veritas.

CHARACTERISTICS

- Stainless steel expansion joint AISI 321
- Galvanized carbon steel flanges acc. DIN PN 16
- Rotatable flanges
- Double ply bellows material
- Standard length L=130
- Max. temperature: 300 °C
- Max. pressure: 16 bar (120 °C)
- Stock item





Dimensions in millimeters (mm)

TECHNICAL DATA

Article no.	DN	L	Bellows (material: AISI 321)			Flange (material: carbon steel)					Movement Axial (mm)	Springrate N/mm
			Conv.	Plies	Thickness (mm)	D outside (mm)	K	D inside (mm)	Holes x d	B		
300 231 040	40	130	20	1	0,3	150	110	48,3	4 x 18	16	± 15 - 30	82
300 231 050	50	130	16	2	0,3	165	125	60,3	4 x 18	18	± 15 - 30	60
300 231 065	65	130	14	2	0,3	185	145	76,1	4 x 18	18	± 15 - 30	50
300 231 080	80	130	13	2	0,3	200	160	88,9	8 x 18	20	± 15 - 30	41
300 231 100	100	130	12	2	0,3	220	180	114,3	8 x 18	20	± 15 - 30	37
300 231 125	125	130	12	2	0,3	250	210	139,7	8 x 18	22	± 15 - 30	35
300 231 150	150	130	12	2	0,4	285	240	168,3	8 x 22	22	± 15 - 30	69
300 231 200	200	130	8	2	0,4	340	295	219,1	12 x 22	24	± 15 - 30	95
300 231 250	250	130	7	2	0,4	405	355	273	12 x 22	26	± 15 - 30	83

ABOUT LOGGERS

Loggers is **thought leader** and international recognized solution provider in the field of shock, vibration and noise control. With **excellent technical know-how** in combination with proven market knowledge and experience Loggers designs, develops and engineers **innovative solutions** for the most complex and challenging situations for leading clients worldwide for over 90 years.

Loggers understands all difficulties in the area of vibration, shock and noise control entirely.

We bring up the best and most cost effective solution for every challenge, regardless of its complexity. Loggers defines and engineers all deliverables necessary for solving your problem, ranging from standard to tailor-made solutions. Loggers' state-of-the-art portfolio contains all products and services to provide you with the optimal solution for relatively simple as well as the most complex challenges.

Products

- Vibration mounts
- Expansion joints
- Shock mounts

Services

- Assessment of current situation (on site)
- Analysis design including construction drawings
- Structural design and stress analysis
- Vibration measurement, calculation and analysis, if needed on site
- Solution definition based on:
 - standard products
 - customized products, or even
 - tailor-made new products, including prototyping
- Complete simulation of solution to ensure its effectiveness
- Testing including certification by independent certification authorities
- On site support during installation

Loggers understands both business and technology and brings both worlds together in satisfying customers' needs in rapidly changing environments. By working closely with clients Loggers enables them to realize their strategic targets through solving specific operational issues in the following market segments:

- Shipbuilding
- Dredging
- Defense
- Machinery
- Offshore
- Transportation



Version 06
January 2013

Loggers B.V.

Pieter Zeemanweg 133
3316 GZ Dordrecht
Mail: P.O. Box 194
3300 AD Dordrecht
The Netherlands
Phone: +31 (0) 78 6182844
Fax: +31 (0) 78 6180650
sales@loggers.nl

Loggers Schwingungstechnik GmbH

Am Markt 9
D-27419 Sittensen
Germany
Phone: +49 (0) 4282/5949-0
Fax: +49 (0) 4282/5949-39
sales@loggers.de

